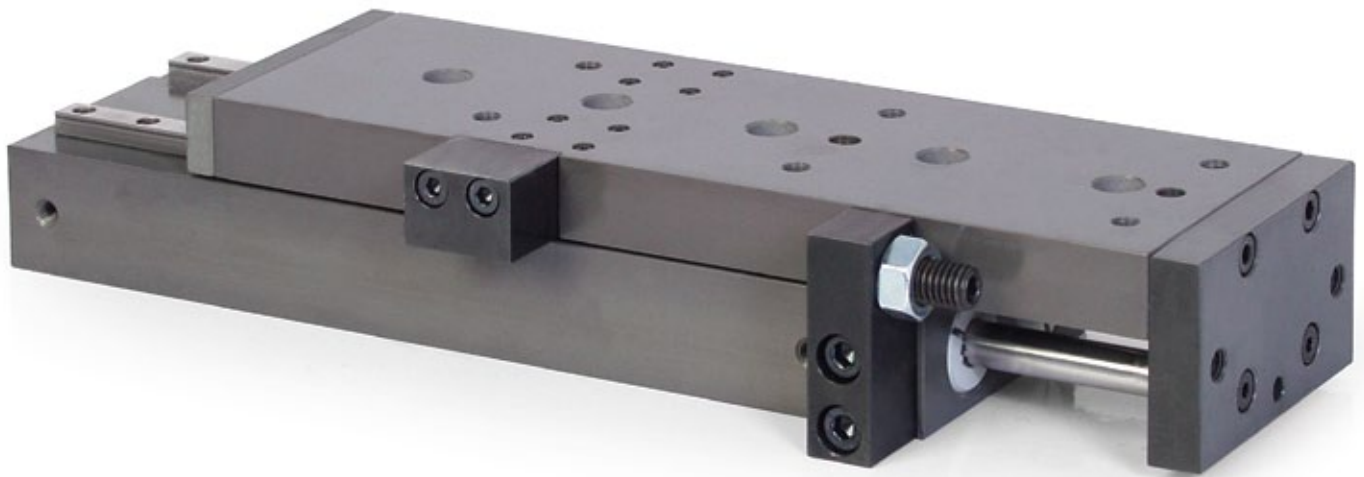


# NUMATICS®

## PST Series

Precision Slide Table



[www.numatics.com](http://www.numatics.com)

## PST Series Power Slides

Features and Benefits	3
How To Order	3
PST08 Technical Specifications	4
PST08 Dimensions	5
PST12 Technical Specifications	6
PST12 Dimensions	7
PST16 Technical Specifications	8
PST16 Dimensions	9
PST20 Technical Specifications	10
PST20 Dimensions	11
PST25 Technical Specifications	12
PST25 Dimensions	13
Sensing Part Numbers	14-16
Quick Disconnect Cables	17
World Switch Hall Effect Part Numbers	17

### PST Precision Slide

PST Series Slide provides smooth precise linear motion with high accuracy at twice the thrust of a single bore cylinder. The precision linear rail system supports the load through the entire stroke length.

#### A. Dual Square Rails

Dual square rails provide high load capabilities and precise linear motion.

#### B. Bores

Twin bores deliver twice the thrust of a single bore cylinder.

#### C. Stroke

Optional stroke adjustment and shock absorbers available for extend and retract.

#### D. Mounting

Axial mounting and locating holes standard.

#### E. Sensing Groove

Sensing groove for Hall or Reed switches.



### How to Order

**PST 16 050 B 1 6 D 4\* 4\***

<p><b>Bore Sizes</b></p> <ul style="list-style-type: none"> <li>08 = 8 mm</li> <li>12 = 12 mm</li> <li>16 = 16 mm</li> <li>20 = 20 mm</li> <li>25 = 25 mm</li> </ul> <p><b>Standard Stroke</b></p> <ul style="list-style-type: none"> <li>010** = 10 mm    050 = 50 mm</li> <li>020** = 20 mm    075 = 75 mm</li> <li>030** = 30 mm    100* = 100 mm</li> <li>040 = 40 mm</li> </ul> <p><small>* Not available for a 8mm bore</small></p> <p><b>Seal Option</b></p> <ul style="list-style-type: none"> <li>1 = Buna</li> <li>2 = FKM</li> </ul> <p><b>Sensing Type</b></p> <p>Standard Cord Set</p> <ul style="list-style-type: none"> <li>1 = Hall Switch - PNP (sourcing)</li> <li>2 = Hall Switch - NPN (sinking)</li> <li>3 = Reed Switch</li> <li>6 = No Sensing</li> </ul> <p>Quick Disconnect Cord Set</p> <ul style="list-style-type: none"> <li>Z = Hall Switch - PNP (sourcing)</li> <li>Y = Hall Switch - NPN (sinking)</li> <li>X = Reed Switch</li> </ul> <p>See Sensor section.</p>	<p><b>Shock Option</b></p> <p>Hardware Only</p> <ul style="list-style-type: none"> <li>1 = Extend</li> <li>2 = Retract</li> <li>3 = Extend/Retract</li> <li>4 = No Shock Hardware</li> </ul> <p>Hardware and Shocks</p> <ul style="list-style-type: none"> <li>A = Extend</li> <li>B = Retract</li> <li>C = Extend/Retract</li> </ul> <p><b>Stroke Adjustment</b></p> <ul style="list-style-type: none"> <li>1 = Extend Stroke</li> <li>2 = Retract Stroke</li> <li>3 = Extend/Retract</li> <li>4 = No Stroke Adjustment</li> </ul> <p><b>Sensing Position</b></p> <ul style="list-style-type: none"> <li>A = Single Position Extend</li> <li>B = Single Position Retract</li> <li>C = Extend and Retract</li> <li>D = No Sensing</li> </ul>
---	--

**\* When calling out shocks for extend or retract, the shock becomes the stroke adjustment. Therefore, you do not have to order both stroke adjustment and shocks.**

#### When Ordering Additional Sensors\*\*

Switch Description	Standard Part No.	Quick Disconnect Part No.
Hall Effect - PNP (Sourcing)	PNP-FL2-00-U	PNP-QDS-M8-U
Hall Effect - NPN (Sinking)	NPN-FL2-00-U	NPN-QDS-M8-U
Reed Switch	REED-FL2-00	REED-QDS-M8U
90° 5 meter cable	-	PXC90
Straight 5 meter cable	-	PXCST

#### Extend Stroke Adjustment Kit

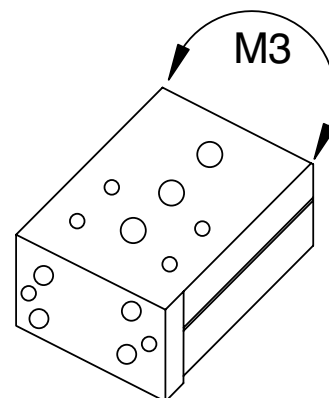
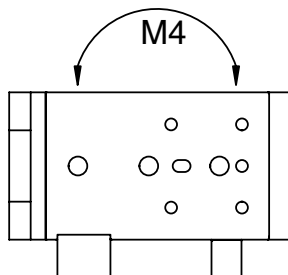
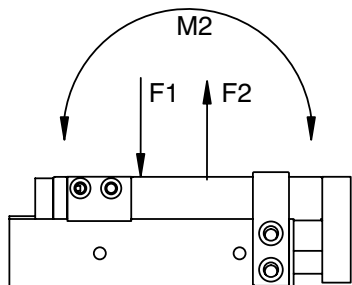
Model No.	Part No.
PST08	PSTSAKE08
PST12	PSTSAKE12
PST16	PSTSAKE16
PST20	PSTSAKE20
PST25	PSTSAKE25

#### Retract Stroke Adjustment Kit

Model No.	Part No.
PST08	PSTSAKR08
PST12	PSTSAKR12
PST16	PSTSAKR16
PST20	PSTSAKR20
PST25	PSTSAKR25

**\*\* For 10mm, 20mm and 30mm strokes in all bore sizes, use PNP switches N99-1134 or N99-1135**

**PST08 Technical Specifications**



**Technical Specifications  
(Dynamic Ratings)**

	<b>PST08</b>
M2 Nm (in.-lbs.)	2.2 (19.4)
M3 Nm (in.-lbs.)	2.6 (22.9)
M4 Nm (in.-lbs.)	2.8 (24.7)
F1: kg (lbs)	7.1 (15.6)
F2: kg (lbs)	4.8 (10.5)

**Unit Output Force Table**

<b>Bore</b>	<b>Extend</b>	<b>Retract</b>
08 (piston area inches sq.)	0.156	0.117
08 (piston area mm sq.)	100.5	75.4

Example:

Pounds = Psi x Piston Area inches sq.

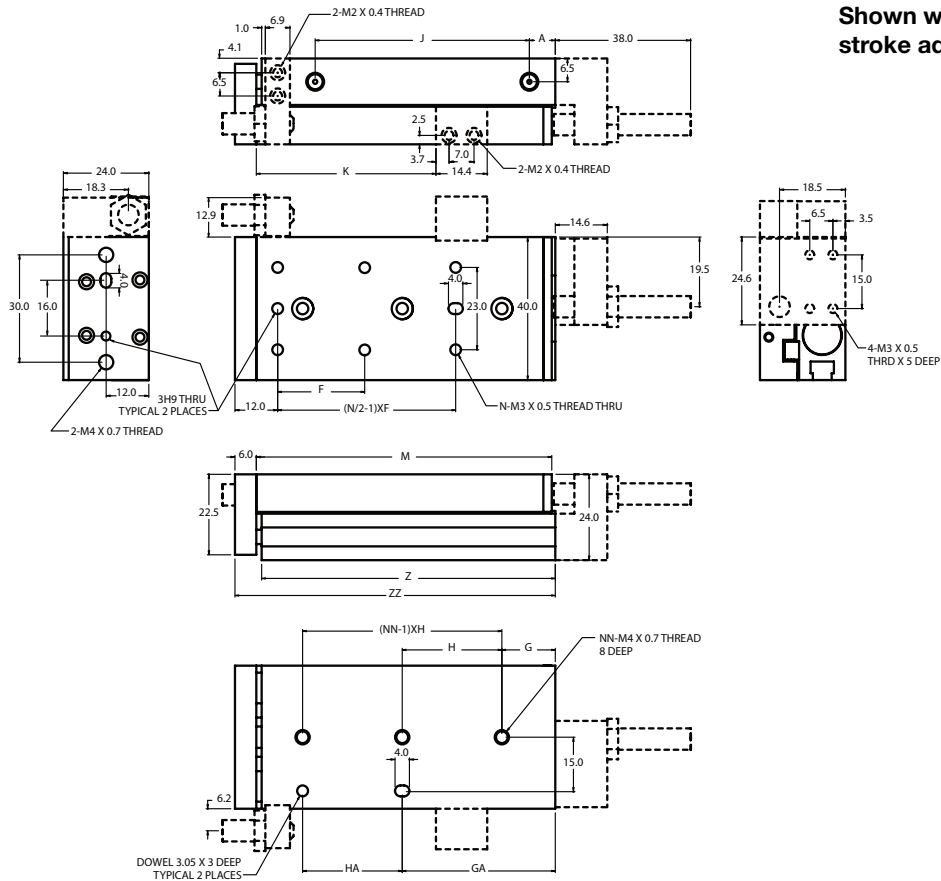
Newtons = Mpa x Piston Area mm sq.

**PST08 Dimensions**

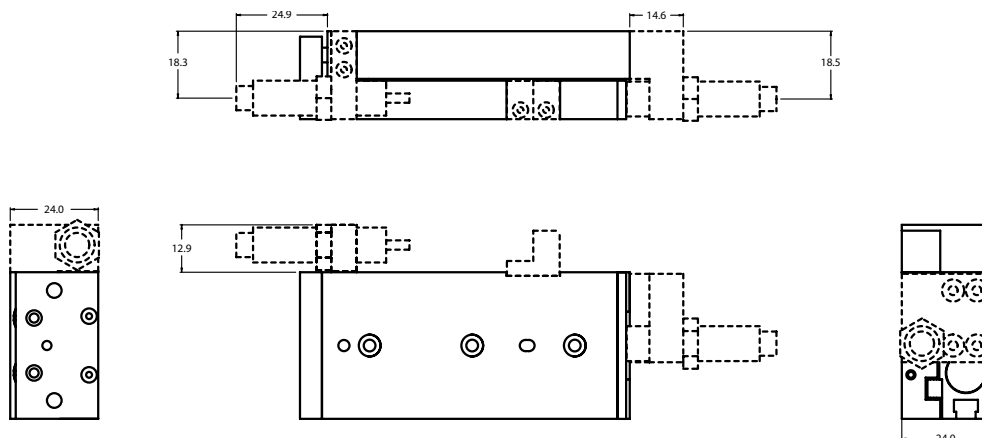
**Dimensions: Inches (mm)**

	<b>10</b>	<b>20</b>	<b>30</b>	<b>40</b>	<b>50</b>	<b>75</b>
A	.24 (6.1)	.29 (7.3)	.29 (7.3)	.29 (7.3)	.29 (7.3)	.29 (7.3)
F	.98 (25)	.98 (25)	1.58 (40)	1.97 (50)	1.50 (38)	1.97 (50)
G	.35 (9)	.47 (12)	.51 (13)	.59 (15)	.79 (20)	1.06 (27)
GA	.67 (17)	.47 (12)	1.30 (33)	1.69 (43)	1.69 (43)	3.27 (83)
H	1.10 (28)	1.18 (30)	.79 (20)	1.10 (28)	.91 (23)	1.10 (28)
HA	.79 (20)	1.18 (30)	.79 (20)	1.10 (28)	1.81 (46)	2.20 (56)
J	1.08 (27.3)	1.23 (31.2)	1.66 (42.2)	2.37 (60.2)	3.08 (78.2)	5.05 (128.2)
K	.80 (20.3)	1.20 (30.4)	1.59 (40.4)	1.98 (50.4)	2.38 (60.5)	3.36 (85.4)
M	1.93 (49)	2.13 (54)	2.56 (65)	3.27 (83)	3.98 (101)	5.95 (151)
N	4	4	4	4	6	6
NN	2	2	3	3	4	5
Z	1.91 (48.5)	2.11 (53.5)	2.54 (64.5)	3.25 (82.5)	3.96 (100.5)	5.93 (150.5)
ZZ	2.20 (56)	2.40 (61)	2.83 (72)	3.54 (90)	4.25 (108)	6.22 (158)

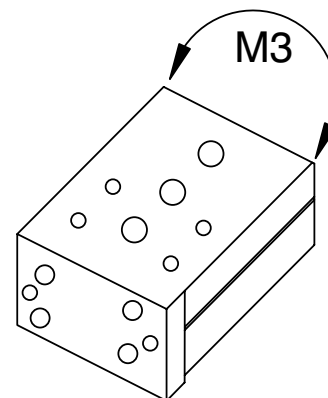
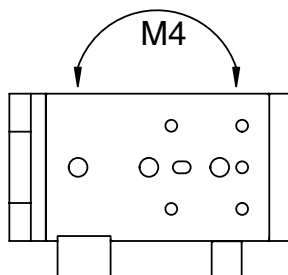
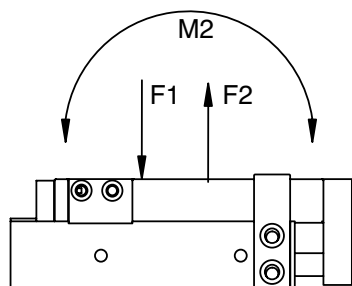
## PST08



## Shown With Optional Shock Absorbers



**PST12 Technical Specifications**



**Technical Specifications  
(Dynamic Ratings)**

	<b>PST12</b>
M2 Nm (in.-lbs.)	11.7 (103.8)
M3 Nm (in.-lbs.)	8.9 (78.8)
M4 Nm (in.-lbs.)	14.0 (123.9)
F1: kg (lbs)	12.9 (28.3)
F2: kg (lbs)	9.0 (19.8)

**Unit Output Force Table**

<b>Bore</b>	<b>Extend</b>	<b>Retract</b>
12 (piston area inches sq.)	0.351	0.263
12 (piston area mm sq.)	226.2	169.7

Example:

Pounds = Psi x Piston Area inches sq.

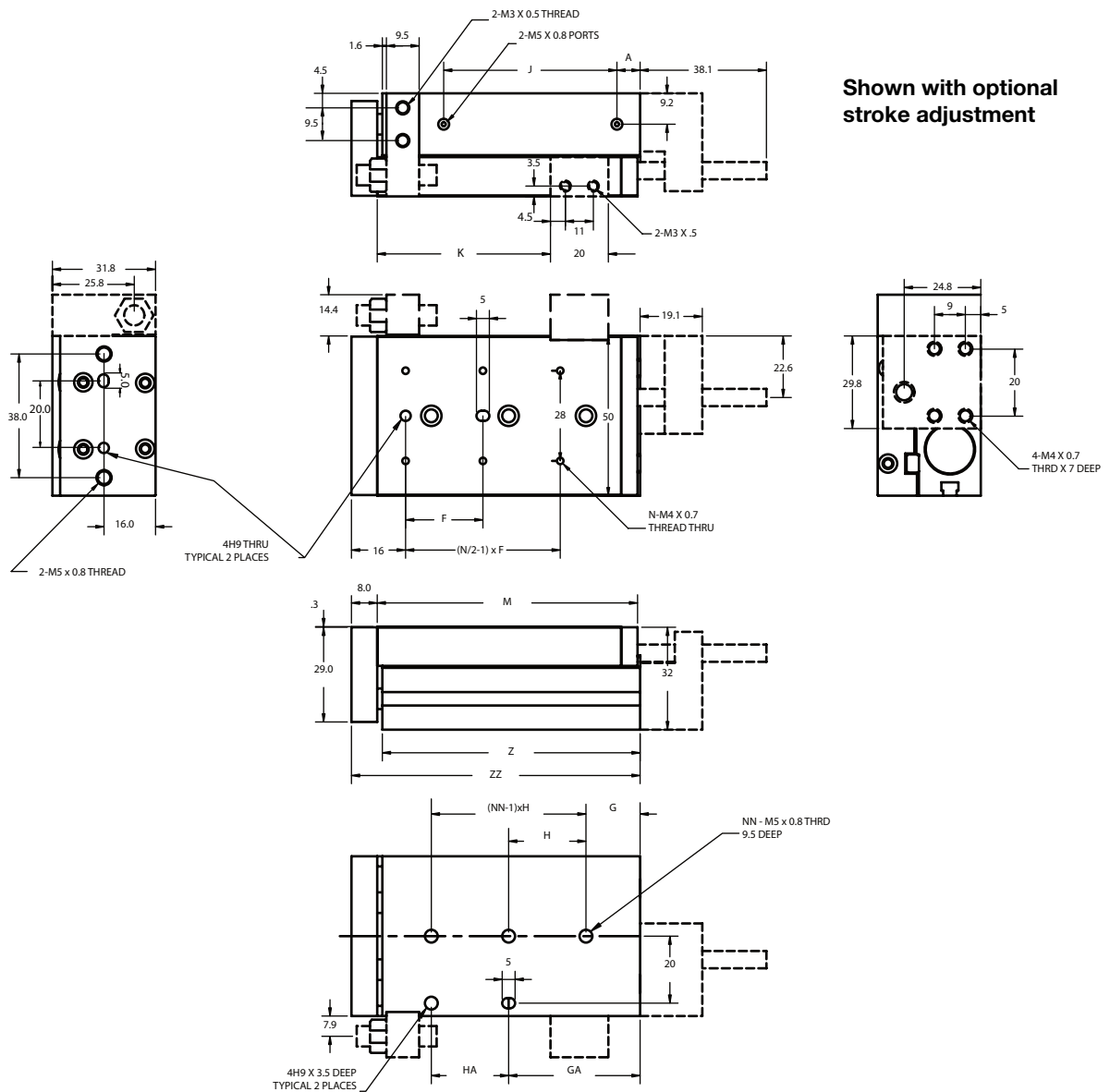
Newtons = Mpa x Piston Area mm sq.

**PST12 Dimensions**

**Dimensions: Inches (mm)**

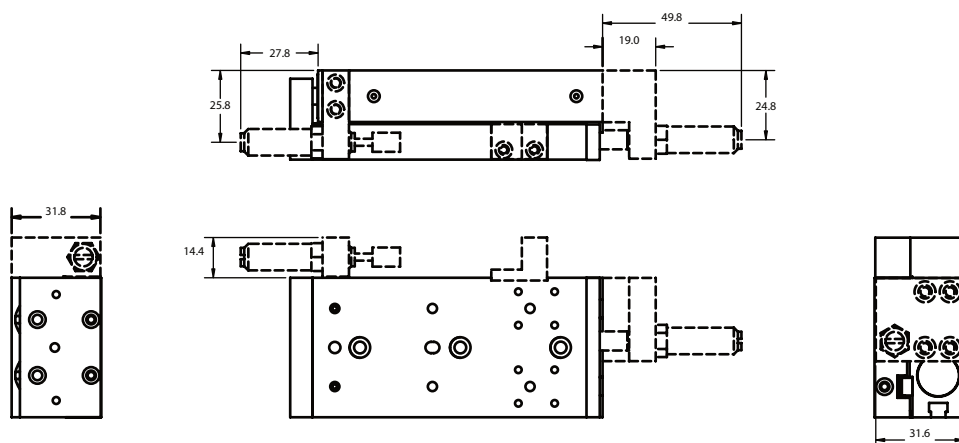
	<b>10</b>	<b>20</b>	<b>30</b>	<b>40</b>	<b>50</b>	<b>75</b>	<b>100</b>
A	.37 (9.4)	.37 (9.4)	.37 (9.4)	.37 (9.4)	.37 (9.4)	.37 (9.4)	.37 (9.4)
F	1.38 (35)	1.38 (35)	1.38 (35)	1.97 (50)	1.38 (35)	2.17 (55)	2.56 (65)
G	.59 (15)	.59 (15)	.59 (15)	.67 (17)	.59 (15)	.98 (25)	1.38 (35)
GA	.59 (15)	.59 (15)	.59 (15)	1.62 (42)	2.01 (51)	2.40 (61)	4.37 (111)
H	1.58 (40)	1.58 (40)	1.58 (40)	.98 (25)	1.42 (36)	1.42 (36)	1.50 (38)
HA	1.58 (40)	1.58 (40)	1.58 (40)	.98 (25)	1.42 (36)	2.84 (72)	2.99 (76)
J	1.60 (40.6)	1.60 (40.6)	1.60 (40.6)	2.07 (52.6)	2.86 (72.6)	4.67 (118.6)	6.80 (172.6)
K	.95 (24.1)	1.34 (34.1)	1.74 (44.1)	2.13 (54.1)	2.52 (64.1)	3.51 (89.1)	4.49 (114)
M	2.80 (71)	2.80 (71)	2.80 (71)	3.27 (83)	4.06 (103)	5.87 (149)	7.99 (203)
N	4	4	4	4	6	6	6
NN	2	2	2	3	3	4	5
Z	2.76 (70)	2.76 (70)	2.76 (70)	3.23 (82)	4.02 (102)	5.83 (148)	7.95 (202)
ZZ	3.15 (80)	3.15 (80)	3.15 (80)	3.62 (92)	4.41 (112)	6.22 (158)	8.35 (212)

## PST12

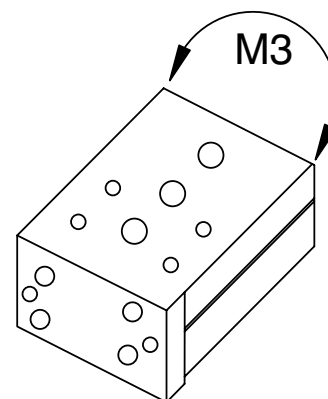
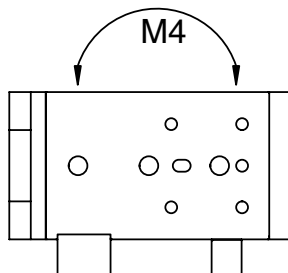
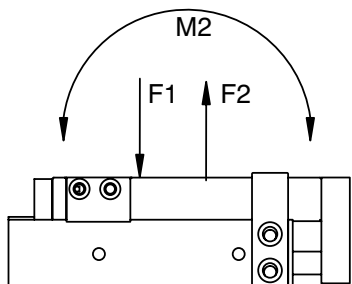


Shown with optional stroke adjustment

## Shown With Optional Shock Absorbers



**PST16 Technical Specifications**



**Technical Specifications  
(Dynamic Ratings)**

	<b>PST12</b>
M2 Nm (in.-lbs.)	16.8 (148.4)
M3 Nm (in.-lbs.)	12.7 (112.6)
M4 Nm (in.-lbs.)	20.0 (177.0)
F1: kg (lbs)	22.7 (50.0)
F2: kg (lbs)	15.9 (35.0)

**Unit Output Force Table**

<b>Bore</b>	<b>Extend</b>	<b>Retract</b>
16 (piston area inches sq.)	0.624	0.486
16 (piston area mm sq.)	402.0	302.0

Example:

Pounds = Psi x Piston Area inches sq.

Newtons = Mpa x Piston Area mm sq.

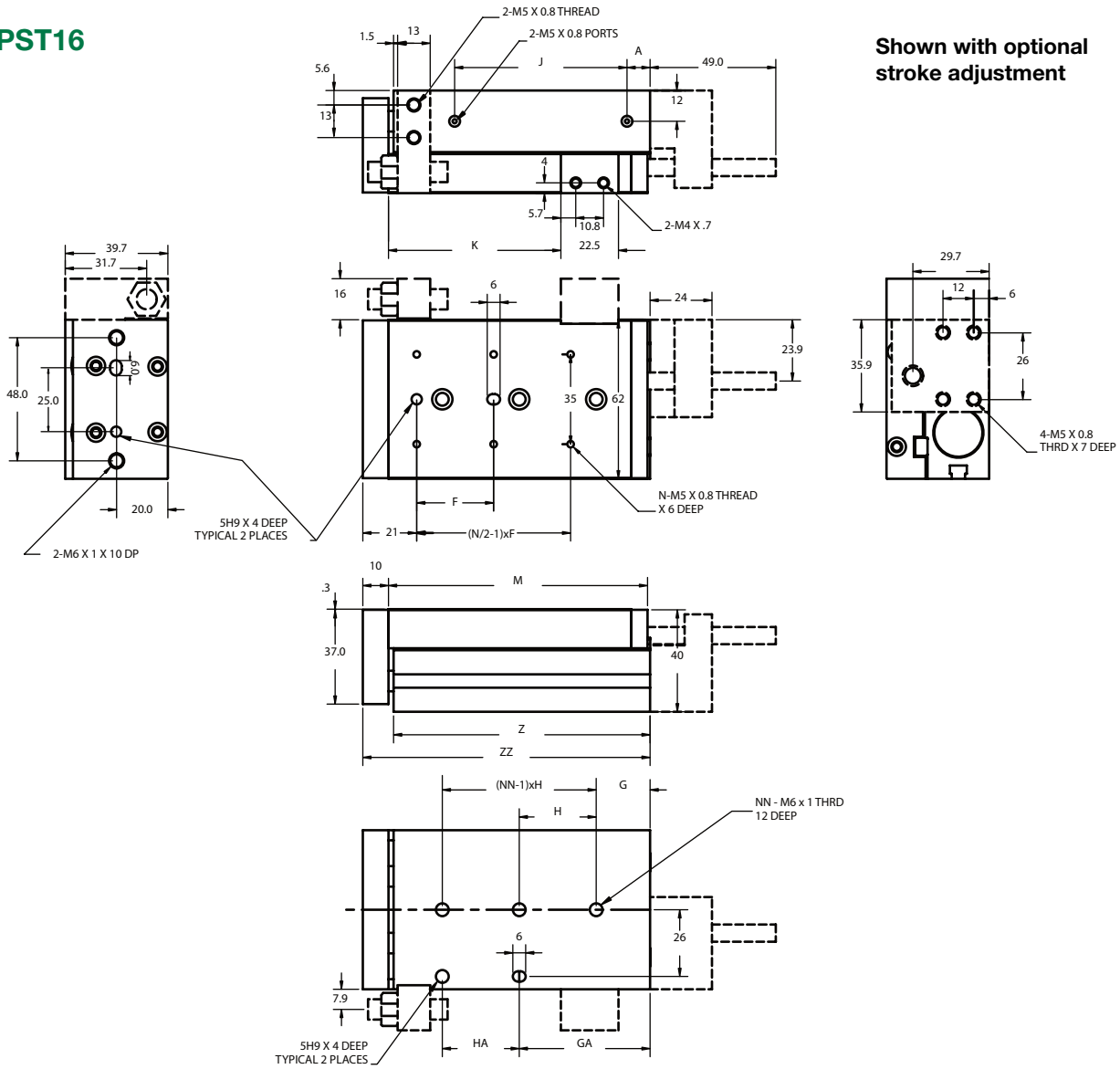
**PST16 Dimensions**

**Dimensions: Inches (mm)**

	<b>10</b>	<b>20</b>	<b>30</b>	<b>40</b>	<b>50</b>	<b>75</b>	<b>100</b>
A	0.29 (7.4)	0.29 (7.4)	0.29 (7.4)	0.29 (7.4)	0.35 (9.0)	0.35 (9.0)	0.35 (9.0)
F	1.38 (35)	1.38 (35)	1.38 (35)	1.57 (40.0)	1.18 (30.0)	2.16 (55.0)	2.56 (65.0)
G	0.63 (16.0)	0.63 (16.0)	0.63 (16.0)	0.63 (16.0)	0.83 (21.0)	1.02 (26.0)	1.53 (39.0)
GA	0.63 (16.0)	0.63 (16.0)	0.63 (16.0)	0.63 (16.0)	2.01 (51.0)	2.40 (61)	4.29 (109)
H	1.57 (40.0)	1.57 (40.0)	1.57 (40.0)	1.96 (50.0)	1.18 (30.0)	1.38 (35.0)	1.38 (35)
HA	1.57 (40.0)	1.57 (40.0)	1.57 (40.0)	1.97 (50.0)	1.18 (30.0)	2.76 (70.0)	2.76 (70.0)
J	1.73 (44.0)	1.73 (44.0)	1.73 (44.0)	2.13 (54.0)	2.65 (67.0)	4.62 (117.0)	6.51 (165.0)
K	1.06 (27.0)	1.47 (37.0)	1.86 (47.0)	2.24 (57.0)	2.65 (67.0)	3.63 (92.0)	4.61 (117.0)
M	2.99 (76)	2.99 (76)	2.99 (76)	3.39 (86)	3.98 (101.0)	5.94 (151.0)	7.83 (199.0)
N	4.0	4.0	4.0	4.0	6.0	6.0	6.0
NN	2.0	2.0	2.0	2.0	3.0	4.0	5.0
Z	2.95 (75.0)	2.95 (75.0)	2.95 (75.0)	3.35 (85.0)	3.94 (100.0)	5.91 (150.0)	7.80 (198.0)
ZZ	3.42 (87.0)	3.42 (87.0)	3.42 (87.0)	3.81 (97.0)	4.41 (112.0)	6.38 (162)	8.26 (210.0)

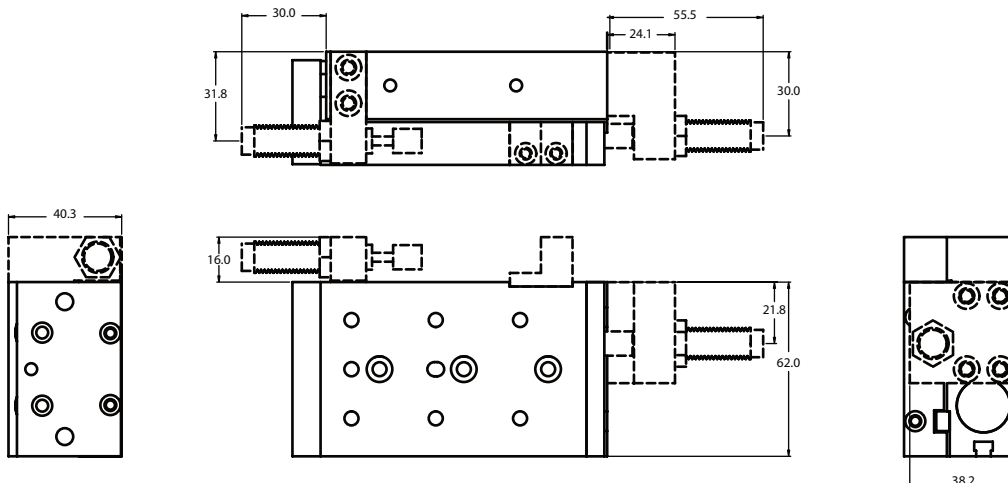


## PST16

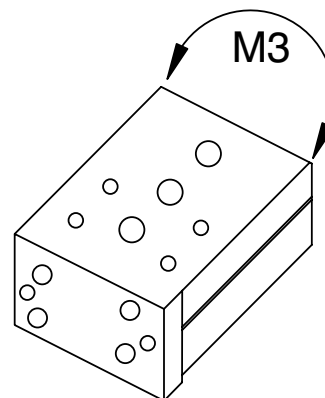
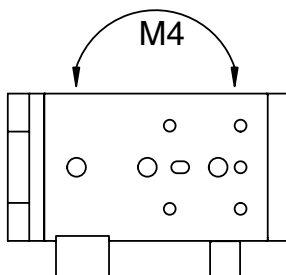
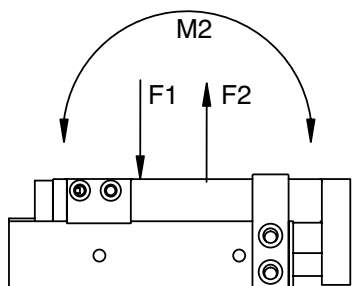


Shown with optional stroke adjustment

## Shown With Optional Shock Absorbers



**PST20 Technical Specifications**



**Technical Specifications  
(Dynamic Ratings)**

	<b>PST12</b>
M2 Nm (in.-lbs.)	23.3 (206.6)
M3 Nm (in.-lbs.)	24.6 (217.9)
M4 Nm (in.-lbs.)	27.4 (242.7)
F1: kg (lbs)	29.4 (65.0)
F2: kg (lbs)	20.6 (45.5)

**Unit Output Force Table**

<b>Bore</b>	<b>Extend</b>	<b>Retract</b>
20 (piston area inches sq.)	0.973	0.730
20 (piston area mm sq.)	628.0	471.0

Example:

Pounds = Psi x Piston Area inches sq.

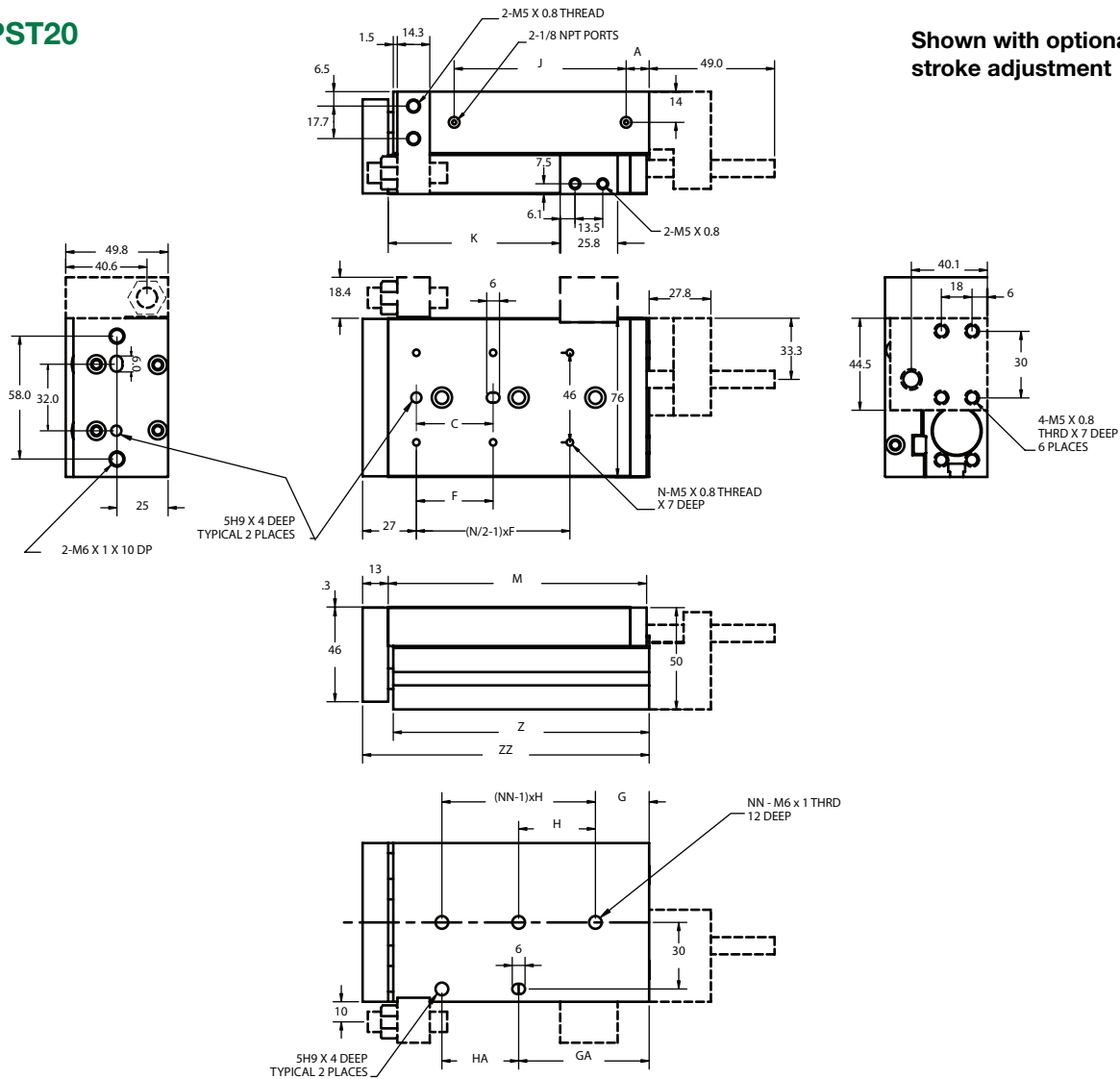
Newtons = Mpa x Piston Area mm sq.

**PST20 Dimensions**

**Dimensions: Inches (mm)**

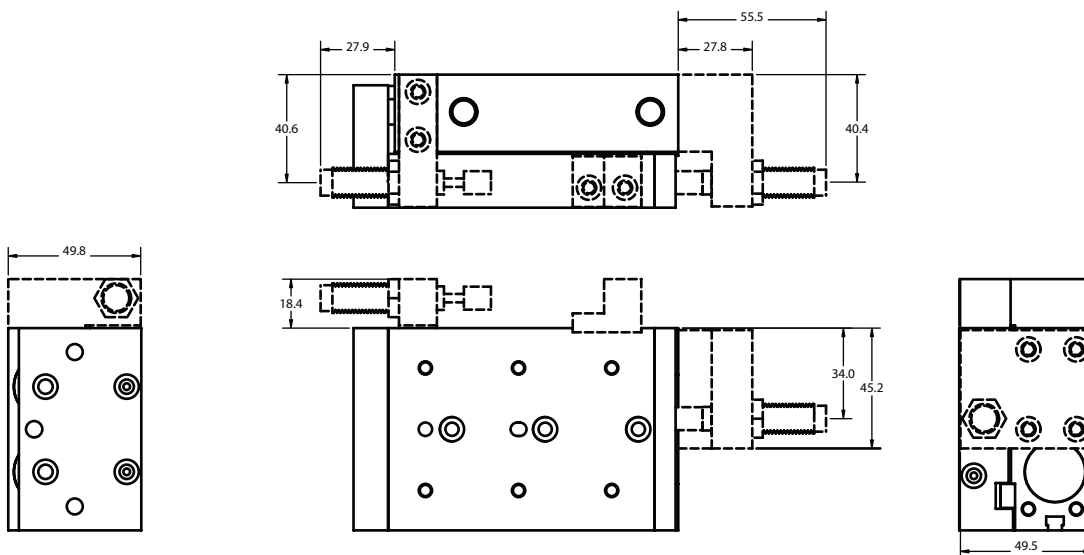
	<b>10</b>	<b>20</b>	<b>30</b>	<b>40</b>	<b>50</b>	<b>75</b>	<b>100</b>
A	0.39 (10.0)	0.39 (10.0)	0.39 (10.0)	0.39 (10.0)	0.41 (10.5)	0.41 (10.5)	0.41 (10.5)
C	1.58 (40.1)	1.58 (40.1)	1.58 (40.1)	1.97 (50.0)	1.38 (35.0)	2.36 (60.0)	2.76 (70.0)
F	1.97 (50.0)	1.97 (50.0)	1.97 (50.0)	2.36 (60.0)	1.38 (35.0)	2.36 (60.0)	2.76 (70.0)
G	0.59 (15.0)	0.59 (15.0)	0.59 (15.0)	0.59 (15.0)	0.59 (15.0)	0.75 (19.0)	1.46 (37.0)
GA	0.98 (25.0)	0.98 (25.0)	0.98 (25.0)	1.38 (35.0)	1.97 (50.0)	2.13 (54)	4.21 (107)
H	1.77 (45.0)	1.77 (45.0)	1.77 (45.0)	2.16 (55.0)	1.38 (35.0)	1.38 (35.0)	1.38 (35.0)
HA	1.38 (35.0)	1.38 (35.0)	1.38 (35.0)	1.38 (35.0)	1.38 (35.0)	2.76 (70.0)	2.76 (70.0)
J	1.80 (45.6)	1.80 (45.6)	1.80 (45.6)	2.19 (55.0)	2.76 (70.1)	4.30 (109.1)	6.38 (162.1)
K	1.15 (29.3)	1.55 (39.3)	1.94 (49.3)	2.33 (59.3)	2.73 (69.3)	3.71 (94.3)	4.70 (119.3)
M	3.27 (83.0)	3.27 (83.0)	3.27 (83.0)	3.66 (93.0)	4.25 (108.0)	5.79 (147.0)	7.87 (200.0)
N	4.0	4.0	4.0	4.0	6.0	6.0	6.0
NN	2.0	2.0	2.0	2.0	3.0	4.0	5.0
Z	3.21 (81.5)	3.21 (81.5)	3.21 (81.5)	3.60 (91.5)	4.19 (106.5)	5.73 (145.5)	7.81 (198.5)
ZZ	3.82 (97.0)	3.82 (97.0)	3.82 (97.0)	4.21 (107.0)	4.80 (122.0)	6.34 (161.0)	8.43 (214.0)

### PST20

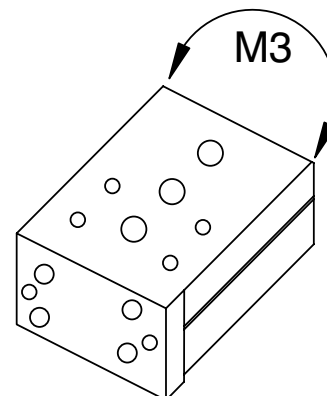
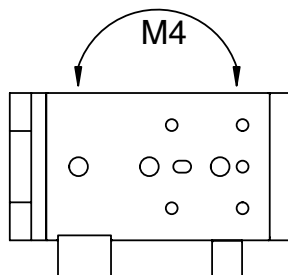
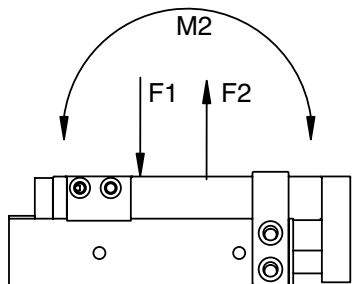


Shown with optional stroke adjustment

### Shown With Optional Shock Absorbers



**PST25 Technical Specifications**



**Technical Specifications  
(Dynamic Ratings)**

	<b>PST12</b>
M2 Nm (in.-lbs.)	34.3 (303.3)
M3 Nm (in.-lbs.)	45.1 (399.9)
M4 Nm (in.-lbs.)	41.1 (364.1)
F1: kg (lbs)	40.8. (90.0)
F2: kg (lbs)	28.6 (63.2)

**Unit Output Force Table**

<b>Bore</b>	<b>Extend</b>	<b>Retract</b>
25 (piston area inches sq.)	1.522	1.171
25 (piston area mm sq.)	982.0	756.0

Example:

Pounds = Psi x Piston Area inches sq.

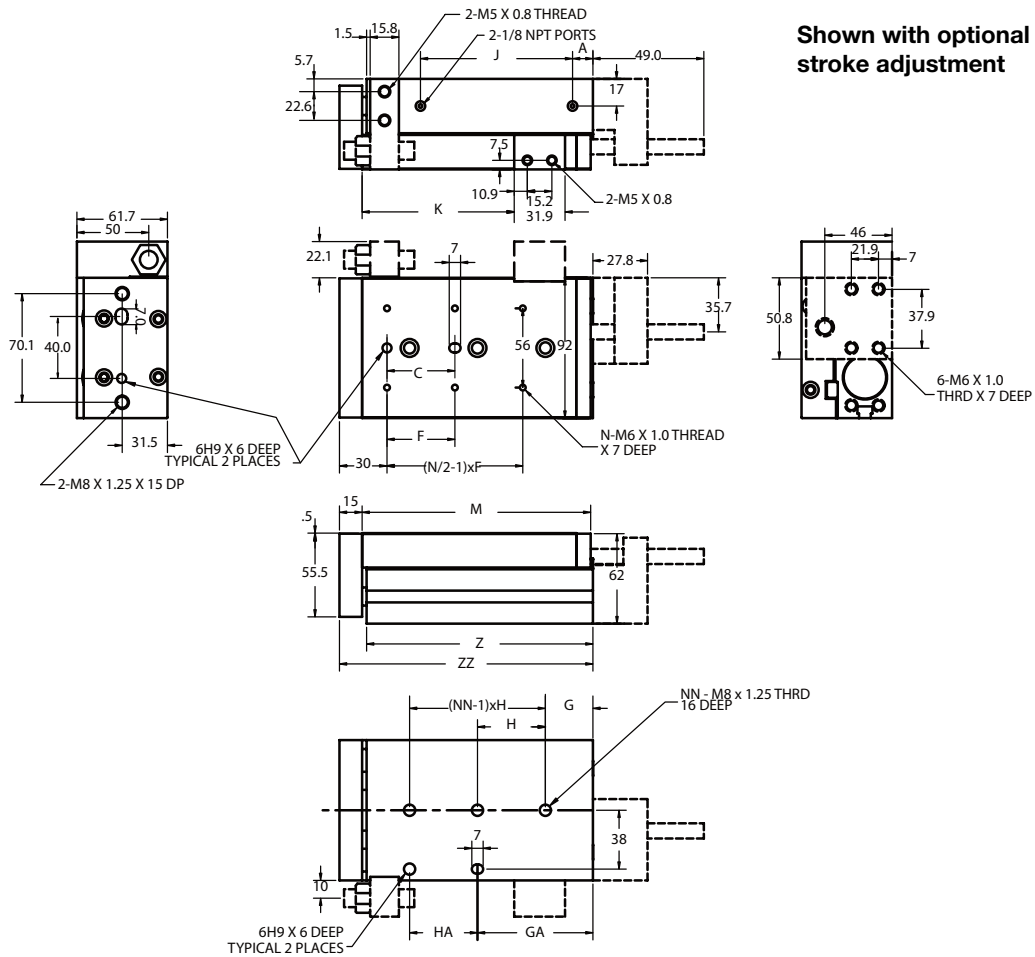
Newtons = Mpa x Piston Area mm sq.

**PST25 Dimensions**

**Dimensions: Inches (mm)**

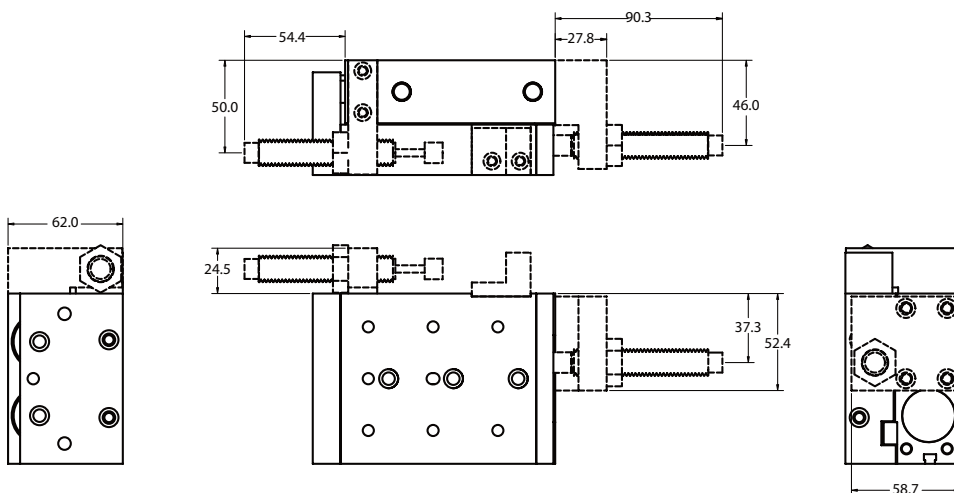
	<b>10</b>	<b>20</b>	<b>30</b>	<b>40</b>	<b>50</b>	<b>75</b>	<b>100</b>
A	0.35 (8.89)	0.35 (8.89)	0.35 (8.89)	0.35 (8.89)	0.48 (12.09)	0.48 (12.07)	0.48 (12.07)
C	1.58 (40.1)	1.58 (40.1)	1.58 (40.1)	1.97 (50.0)	1.38 (35.0)	2.36 (60.0)	2.76 (70.0)
F	1.97 (50.0)	1.97 (50.0)	1.97 (50.0)	2.36 (60.0)	1.38 (35.0)	2.36 (60.0)	2.76 (70.0)
G	0.87 (22.0)	0.87 (22.0)	0.87 (22.0)	0.89 (22.48)	0.79 (20.02)	1.02 (26.01)	1.26 (32.0)
GA	0.87 (22.0)	0.87 (22.0)	0.87 (22.0)	0.87 (22.0)	2.17 (55.02)	2.40 (60.96)	4.02 (102.01)
H	1.77 (45.0)	1.77 (45.0)	1.77 (45.0)	2.16 (55.0)	1.38 (35.0)	1.38 (35.0)	1.38 (35.0)
HA	1.77 (45.0)	1.77 (45.0)	1.77 (45.0)	2.16 (55.0)	1.38 (35.0)	2.76 (70.0)	2.76 (70.0)
J	2.00 (50.80)	2.00 (50.80)	2.00 (50.80)	2.40 (61.01)	2.79 (70.82)	4.40 (111.84)	6.02 (152.83)
K	1.22 (30.86)	1.61 (40.84)	2.00 (50.80)	2.40 (60.86)	2.79 (70.82)	3.77 (95.86)	4.76 (120.85)
M	3.62 (92.00)	3.62 (92.00)	3.62 (92.00)	4.02 (102.01)	4.53 (115.01)	6.14 (156.01)	7.76 (197.00)
N	4.0	4.0	4.0	4.0	6.0	6.0	6.0
NN	2.0	2.0	2.0	2.0	3.0	4.0	5.0
Z	3.60 (90.50)	3.60 (90.50)	3.60 (90.50)	3.97 (100.97)	4.47 (113.51)	6.08 (154.5)	7.70 (195.50)
ZZ	4.25 (107.99)	4.25 (107.99)	4.25 (107.99)	4.65 (118.5)	5.16 (131.0)	6.77 (172.0)	8.39 (212.99)

### PST25



Shown with optional stroke adjustment

### Shown With Optional Shock Absorbers



### PST Series Slide

PST08 30mm stroke or less,  
Only available with single position sensing

Direct Mount  
No Bracket Required

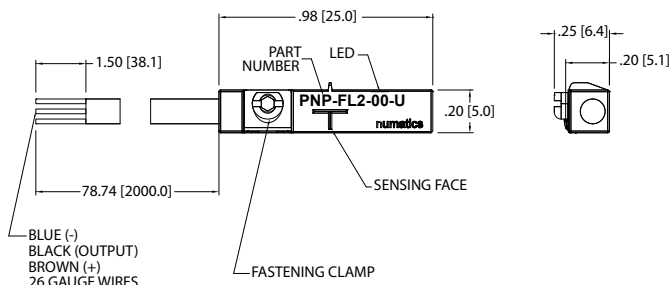


Sensor Description	Standard Cord Set	Quick Disconnect
Reed Switch	REED-FL2-00	REED-QDS-M8U
Hall PNP	PNP-FL2-00-U	PNP-QDS-M8-U
Hall NPN	NPN-FL2-00-U	NPN-QDS-M8-U

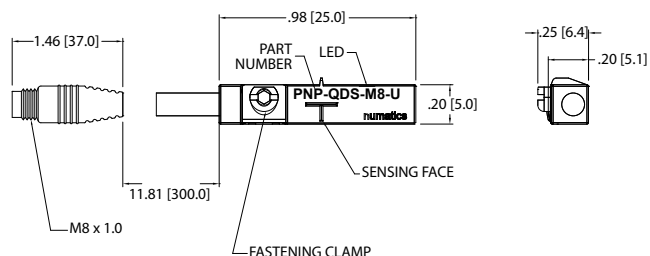
See page 14, 15, & 16 for sensor specifications

**Sensing Part Numbers**

**PNP-FL2-00-U**



**PNP-QDS-M8-U**

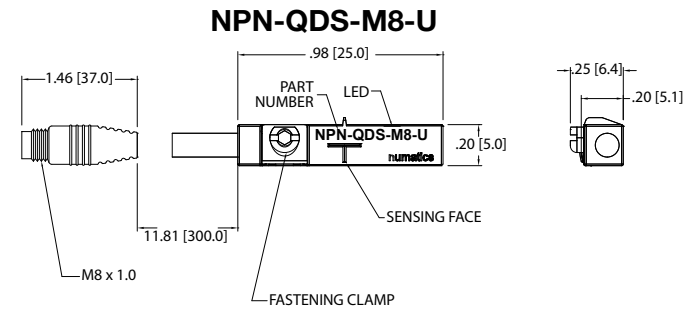
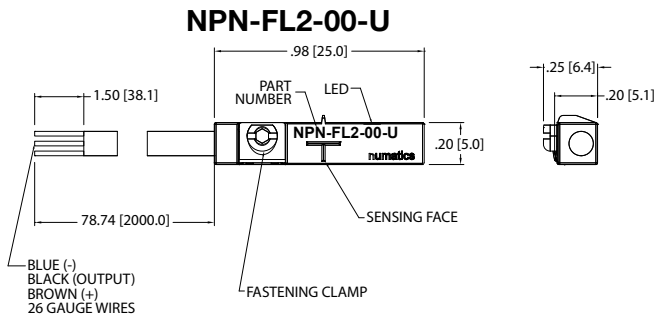


ELECTRICAL DESIGN	DC PNP
OUTPUT	Normally Open
OPERATING VOLTAGE	10-30 VDC
CURRENT RATING	100 mA
SHORT-CIRCUIT PROTECTION	Yes
OVERLOAD PROTECTION	Yes
REVERSE POLARITY PROTECTION	Yes
VOLTAGE DROP	< 2.5 V
CURRENT CONSUMPTION	< 12 mA
REPEATABILITY	< .2mm
POWER-ON DELAY TIME	< 30 ms
SWITCH FREQUENCY	> 3000 Hz
AMBIENT TEMPERATURE	-25°C to 85°C
PROTECTION	IP 67, III
HYSTERESIS	1.0mm
MAGNETIC SENSITIVITY	2.0 mT
TRAVEL SPEED	> 10 m/s
HOUSING MATERIAL	PA (Polyamide) Black; Fastening Clamp: Stainless Steel
FUNCTION DISPLAY SWITCHING STATUS	Yellow LED
CONNECTION	Flying Leads, Pur Cable (2m Long, 3 x26 Gauge Wire)
REMARKS	Clamping Screw with Combined Slot/Hexagon Socket Head AF 1.5 cULus - Class 2 Source Required
ACCESSORIES	Rubber Placeholder, Cable Clip, and Cut Sheet To Be Provided with Every Switch
AGENCY APPROVALS	<b>CE</b> <b>cUL</b> <b>us</b> <b>RoHS</b>

ELECTRICAL DESIGN	DC PNP
OUTPUT	Normally Open
OPERATING VOLTAGE	10-30 VDC
CURRENT RATING	100 mA
SHORT-CIRCUIT PROTECTION	Yes
OVERLOAD PROTECTION	Yes
REVERSE POLARITY PROTECTION	Yes
VOLTAGE DROP	< 2.5 V
CURRENT CONSUMPTION	< 12 mA
REPEATABILITY	< .2mm
POWER-ON DELAY TIME	< 30 ms
SWITCH FREQUENCY	> 3000 Hz
AMBIENT TEMPERATURE	-25°C to 85°C
PROTECTION	IP 67, III
HYSTERESIS	1.0mm
MAGNETIC SENSITIVITY	2.0 mT
TRAVEL SPEED	> 10 m/s
HOUSING MATERIAL	PA (Polyamide) Black; Fastening Clamp: Stainless Steel
FUNCTION DISPLAY SWITCHING STATUS	Yellow LED
CONNECTION	M8 Connector (Snap Fit) , Pur Cable (.3 m)
REMARKS	Clamping Screw with Combined Slot/Hexagon Socket Head AF 1.5 cULus - Class 2 Source Required
ACCESSORIES	Rubber Placeholder, Cable Clip, and Cut Sheet To Be Provided with Every Switch
AGENCY APPROVALS	<b>CE</b> <b>cUL</b> <b>us</b> <b>RoHS</b>

\*Switches are not designed for wet environments. Please see your distributor for additional information.

## Sensing Part Numbers



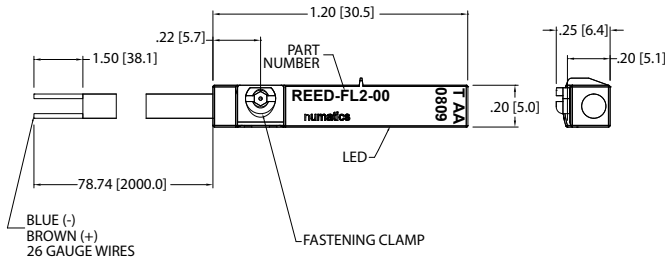
ELECTRICAL DESIGN	DC NPN
OUTPUT	Normally Open
OPERATING VOLTAGE	10-30 VDC
CURRENT RATING	100 mA
SHORT-CIRCUIT PROTECTION	Yes
OVERLOAD PROTECTION	Yes
REVERSE POLARITY PROTECTION	Yes
VOLTAGE DROP	< 2.5 V
CURRENT CONSUMPTION	< 12 mA
REPEATABILITY	< .2mm
POWER-ON DELAY TIME	< 30 ms
SWITCH FREQUENCY	> 3000 Hz
AMBIENT TEMPERATURE	-25°C to 85°C
PROTECTION	IP 67, III
HYSTERESIS	1.0mm
MAGNETIC SENSITIVITY	2.0 mT
TRAVEL SPEED	> 10 m/s
HOUSING MATERIAL	PA (Polyamide) Black; Fastening Clamp: Stainless Steel
FUNCTION DISPLAY SWITCHING STATUS	Yellow LED
CONNECTION	Flying Leads, Pur Cable (2m Long, 3 x26 Gauge Wire)
REMARKS	Clamping Screw with Combined Slot/Hexagon Socket Head AF 1.5 cULus - Class 2 Source Required
ACCESSORIES	Rubber Placeholder, Cable Clip, and Cut Sheet To Be Provided with Every Switch
AGENCY APPROVALS	

ELECTRICAL DESIGN	DC NPN
OUTPUT	Normally Open
OPERATING VOLTAGE	10-30 VDC
CURRENT RATING	100 mA
SHORT-CIRCUIT PROTECTION	Yes
OVERLOAD PROTECTION	Yes
REVERSE POLARITY PROTECTION	Yes
VOLTAGE DROP	< 2.5 V
CURRENT CONSUMPTION	< 12 mA
REPEATABILITY	< .2mm
POWER-ON DELAY TIME	< 30 ms
SWITCH FREQUENCY	> 3000 Hz
AMBIENT TEMPERATURE	-25°C to 85°C
PROTECTION	IP 67, III
HYSTERESIS	1.0mm
MAGNETIC SENSITIVITY	2.0 mT
TRAVEL SPEED	> 10 m/s
HOUSING MATERIAL	PA (Polyamide) Black; Fastening Clamp: Stainless Steel
FUNCTION DISPLAY SWITCHING STATUS	Yellow LED
CONNECTION	M8 Connector (Snap Fit) , Pur Cable (.3 m)
REMARKS	Clamping Screw with Combined Slot/Hexagon Socket Head AF 1.5 cULus - Class 2 Source Required
ACCESSORIES	Rubber Placeholder, Cable Clip, and Cut Sheet To Be Provided with Every Switch
AGENCY APPROVALS	

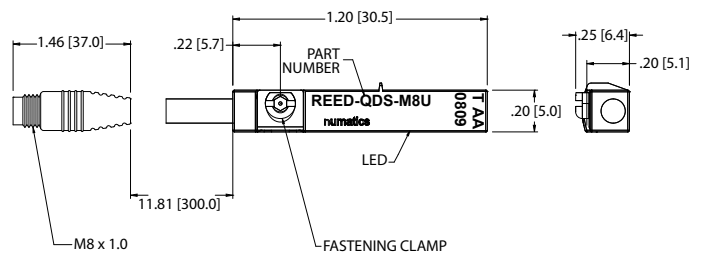
\*Switches are not designed for wet environments. Please see your distributor for additional information.

**Sensing Part Numbers**

**REED-FL2-00**



**REED-QDS-M8U**



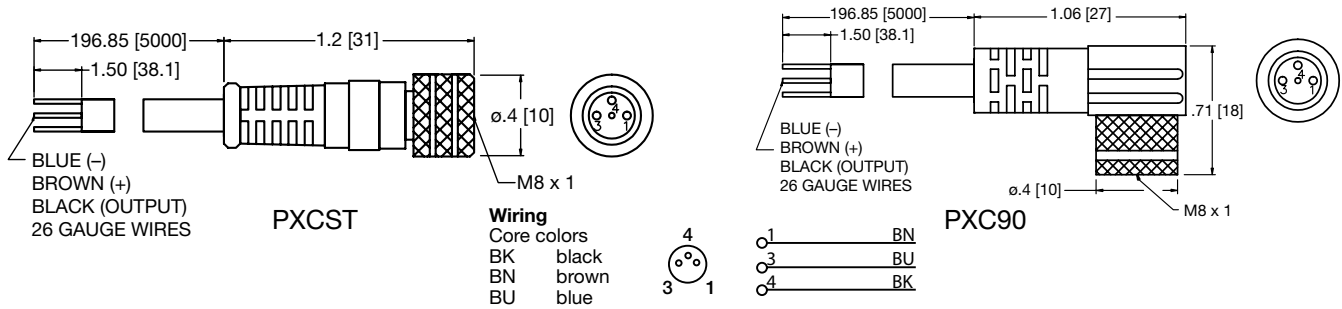
ELECTRICAL DESIGN	AC/DC REED
OUTPUT	Normally Open
OPERATING VOLTAGE	5-120 VAC/DC
CURRENT RATING	100 mA*
SHORT-CIRCUIT PROTECTION	No
OVERLOAD PROTECTION	No
REVERSE POLARITY PROTECTION	Yes
VOLTAGE DROP	< 5 V
REPEATABILITY	± .2mm
MAKETIME INCLUDING BOUNCE	< .6 ms
BREAKTIME	< .1 ms
SWITCHING POWER (MAX)	5 W
SWITCH FREQUENCY	1000 Hz
AMBIENT TEMPERATURE	-25°C to 70°C
PROTECTION	IP 67, II
HYSTERESIS	.9mm
HOUSING MATERIAL	PA (Polyamide) Black; Fastening Clamp: Stainless Steel
FUNCTION DISPLAY SWITCHING STATUS	Yellow LED
CONNECTION	Flying Leads, Pur Cable (2m Long, 2 x26 Gauge Wire)
REMARKS	*External Protective Circuit for Inductive Load (Valve, Contactor, Etc..) Necessary. Conforms to 2008 NEC Section 725 III, Class 2 Circuits  Clamping Screw with Combined Slot/Hexagon Socket Head AF 1.5. No LED Function in case of Polarity in DC Operation
ACCESSORIES	Rubber Placehold, Cable Clip, and Cut Sheet To Be Provided with Every Switch
AGENCY APPROVALS	<b>CE RoHS</b>

ELECTRICAL DESIGN	AC/DC REED
OUTPUT	Normally Open
OPERATING VOLTAGE	*5-60 VDC / 5-50 VAC
CURRENT RATING	100 mA
SHORT-CIRCUIT PROTECTION	No
OVERLOAD PROTECTION	No
REVERSE POLARITY PROTECTION	Yes
VOLTAGE DROP	< 5 V
REPEATABILITY	± .2mm
MAKETIME INCLUDING BOUNCE	< .6 ms
BREAKTIME	< .1 ms
SWITCHING POWER (MAX)	5 W
SWITCH FREQUENCY	1000 Hz
AMBIENT TEMPERATURE	-25°C to 70°C
PROTECTION	IP 67, II
HYSTERESIS	.9mm
HOUSING MATERIAL	PA (Polyamide) Black; Fastening Clamp: Stainless Steel
FUNCTION DISPLAY SWITCHING STATUS	Yellow LED
CONNECTION	M8 Connector (Snap Fit), Pur Cable (.3m)
REMARKS	*External Protective Circuit for Inductive Load (Valve, Contactor, Etc..) Necessary. Conforms to 2008 NEC Section 725 III, Class 2 Circuits  M8 Connector voltage limited to 5-60 vdc / 5-50 vac to conform with 2008 IEC 61076-2-104  Clamping Screw with Combined Slot/Hexagon Socket Head AF 1.5. No LED Function in case of Polarity in DC Operation
ACCESSORIES	Rubber Placehold, Cable Clip, and Cut Sheet To Be Provided with Every Switch
AGENCY APPROVALS	<b>CE RoHS</b>

\*Switches are not designed for wet environments. Please see your distributor for additional information.



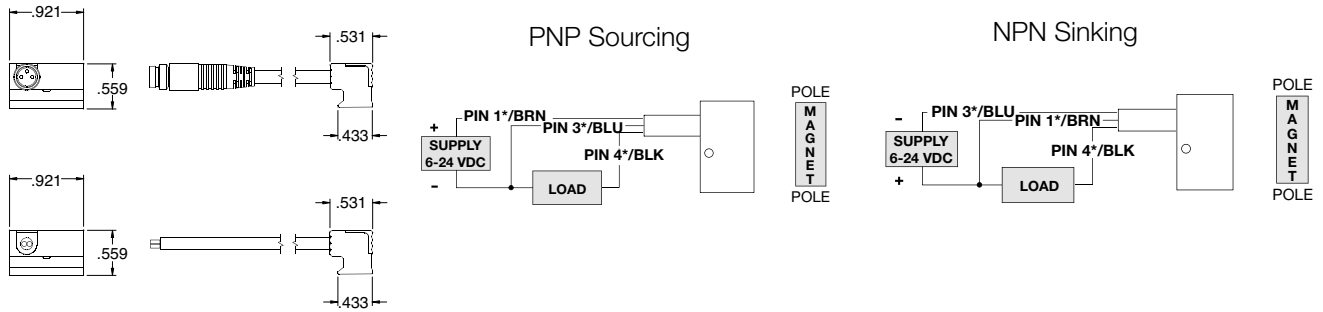
### Quick Disconnect Cables



Order Code	Type	Operating Voltage	Current Rating	Cable Material	Protection	Connector
PXCST	Straight 5 m Cable (3 x 26 Gauge wire)	60 AC/75 DC	3 A	PUR	IP 68, III	M8
PXC90	90° 5 m Cable (3 x 26 Gauge wire)	60 AC/75 DC	3 A	PUR	IP 68, III	M8

### PST Series World Switch Hall Effect Part Numbers

P/N	Switch Style	Electrical Design	Output	Operating Voltage	Current Rating	Switching Power	Voltage Drop	NEMA IP Rating	Temperature Rating
SH6-031	Flying Lead	DC PNP	Normally Open	6-24 VDC	0.3 Amps Max.	7.2 Watts Max.	.5 Volts	NEMA 6	-25° to +75° C
SH6-032	Flying Lead	DC PNP	Normally Open	6-24 VDC	0.3 Amps Max.	7.2 Watts Max.	.5 Volts	NEMA 6	-25° to +75° C
SH6-021	M8 Connector	DC NPN	Normally Open	6-24 VDC	0.3 Amps Max.	7.2 Watts Max.	.5 Volts	NEMA 6	-25° to +75° C
SH6-022	M8 Connector	DC NPN	Normally Open	6-24 VDC	0.3 Amps Max.	7.2 Watts Max.	.5 Volts	NEMA 6	-25° to +75° C



# NUMATICS®

World Class Supplier of Pneumatic Components



## World Headquarters

### USA Numatics, Incorporated

46280 Dylan Drive  
Novi, Michigan 48377

P: 248-596-3200  
F: 248-596-3201

### Canada Numatics, Ltd

P: 519-758-2700  
F: 519-758-5540

### México - Ascomatica SA de CV

P: 52 55 58 09 56 40 (DF y Area metropolitana)  
P: 01 800 000 ASCO (2726) (Interior de la República)  
F: 52 55 58 09 56 60

### Brazil Ascoval Ind.e Comercio Ltda

P: (55) 11-4208-1700  
F: (55) 11-4195-3970